

Cubic Designs Inc.

16770 WEST VICTOR ROAD
NEW BERLIN, WI 53151

262-789-1966 800-826-7061 FAX: 262-789-1970

BAR JOIST PERIMETER COLUMN

DETAIL

103

PERIMETER COLUMN

* BOTTOM CHORD ANGLES OF JOIST GIRDER STRADDLE STABILIZER TUBE.

IF ADDITIONAL STABILITY IS NEEDED, FASTEN EACH END OF BOTTOM CHORD ANGLES TO $\frac{3}{4}$ "x $1\frac{1}{2}$ " TUBE WITH (2) TEK 3'S AFTER 90% OF PERMANENT LOAD IS PRESENT ON MEZZANINE. TYPICAL ALSO FOR ENDS OF BAR JOISTS.

(2) $\frac{3}{4}$ " ϕ GRADE 5 BOLT, WASHER UNDER BOLT HEAD, & NUT

JOIST GIRDER WITH HOLE PATTERNS

(2) $\frac{1}{2}$ " ϕ BOLT, WASHER UNDER BOLT HEAD, & NUT

$\frac{3}{4}$ "x $1\frac{1}{2}$ " STABILIZER TUBE

$\frac{3}{4}$ "x8"x12" CAP PLATE

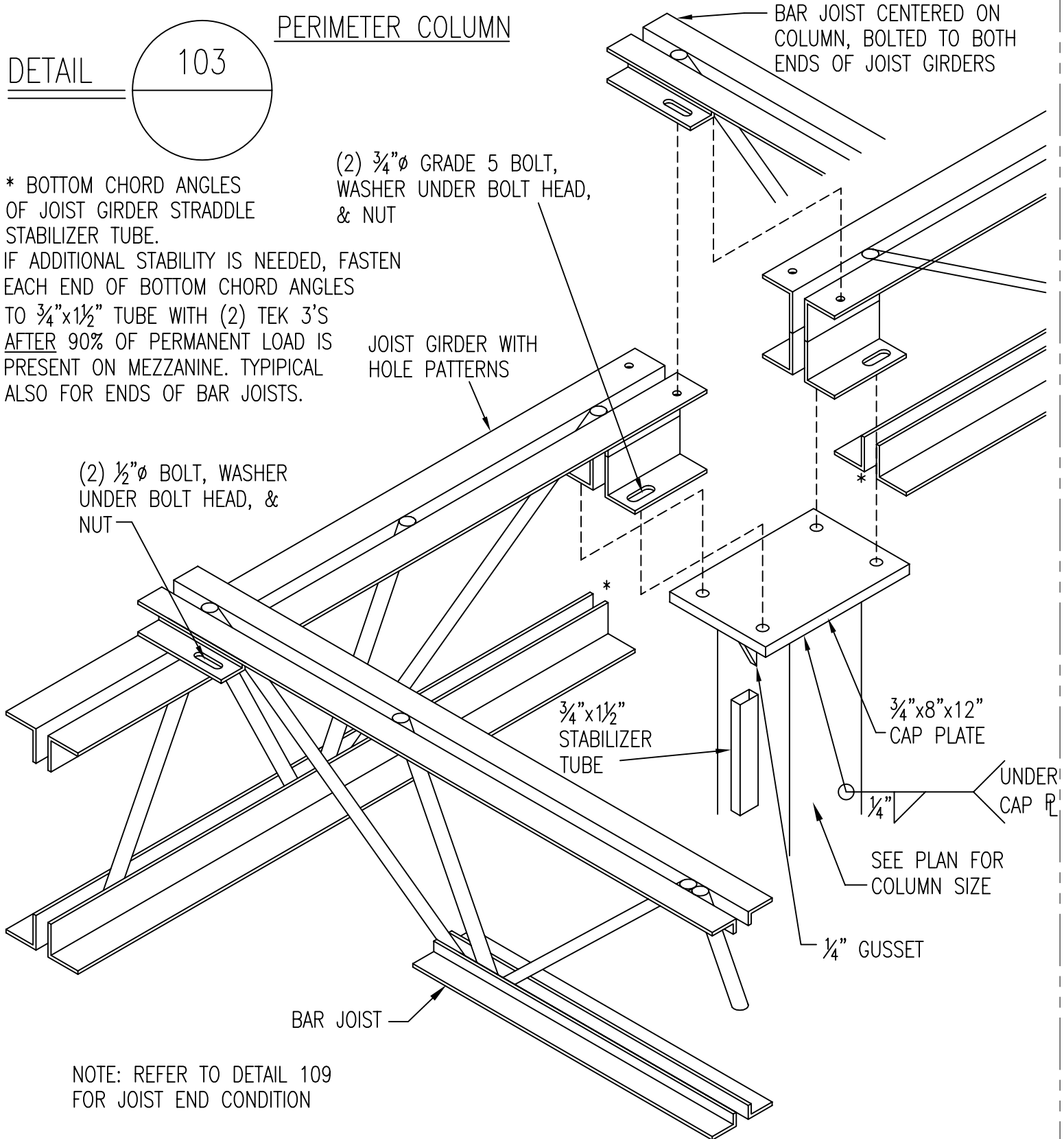
UNDER CAP PLATE

SEE PLAN FOR COLUMN SIZE

$\frac{1}{4}$ " GUSSET

BAR JOIST

BAR JOIST CENTERED ON COLUMN, BOLTED TO BOTH ENDS OF JOIST GIRDERS



NOTE: REFER TO DETAIL 109 FOR JOIST END CONDITION