

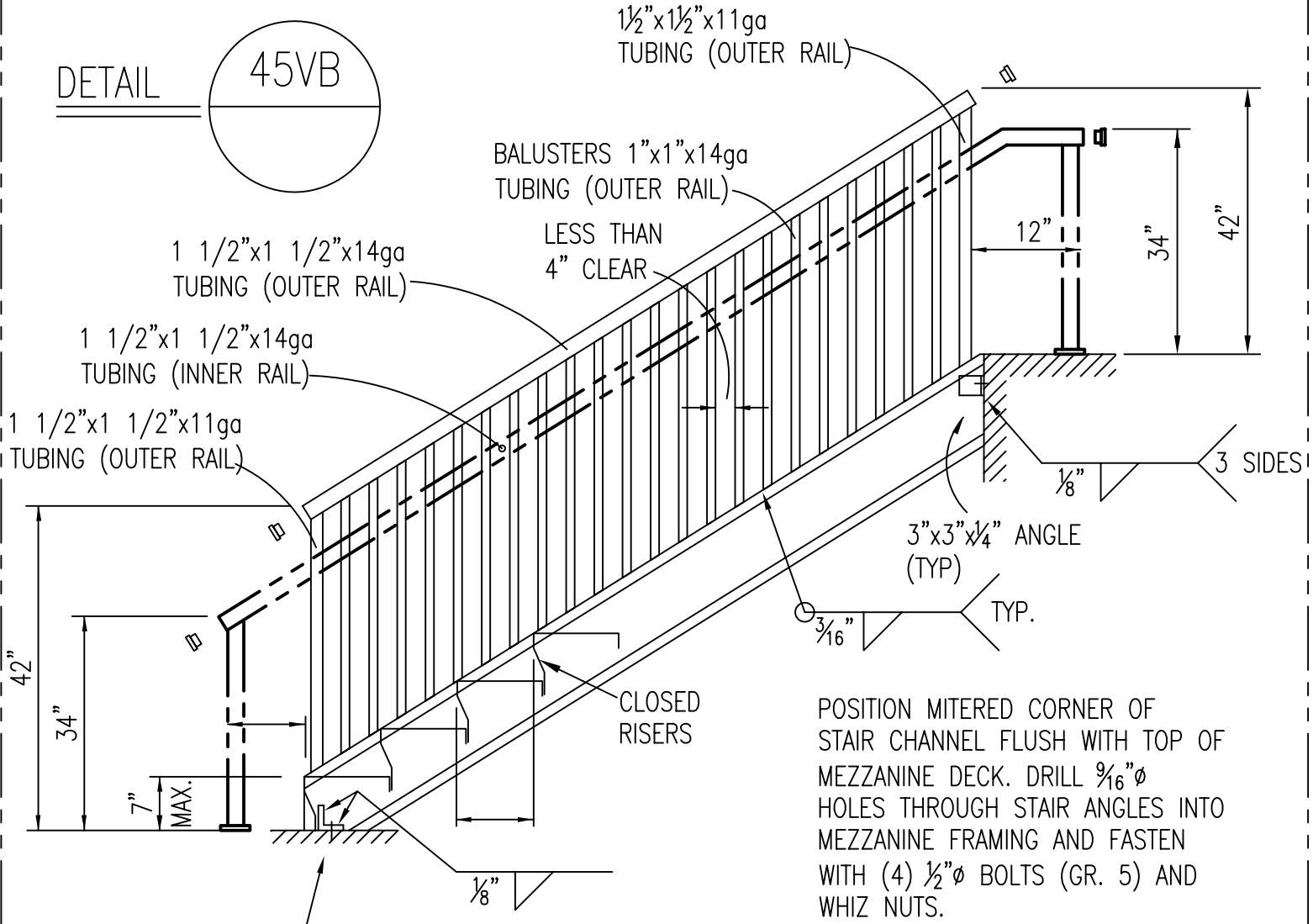
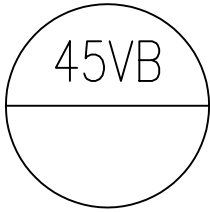
Cubic Designs Inc.

16770 WEST VICTOR ROAD
NEW BERLIN, WI 53151

262-789-1966 800-826-7061 FAX: 262-789-1970

STAIR WITH VERTICAL RAIL

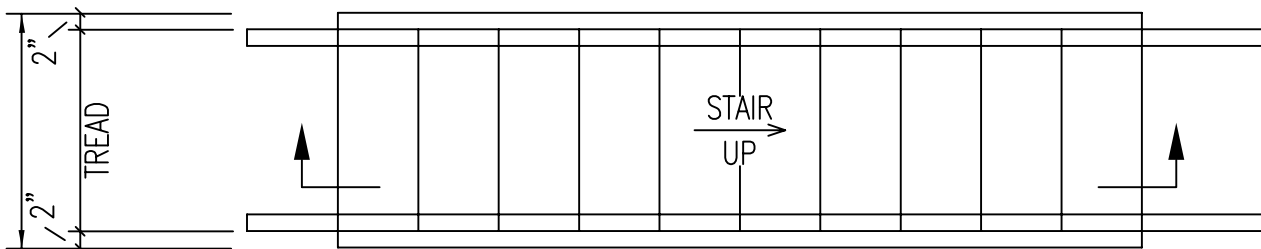
DETAIL



ANCHOR BASE OF STAIR WITH (2) 1/2" Ø WEDGE ANCHORS INTO SLAB.

SECTION THROUGH CENTER OF STAIR

USE (4) 3/8" Ø BOLTS PER TREAD TO INSTALL EACH TREAD TO STAIR STRINGER.



STAIR PLAN