

Cubic Designs Inc.

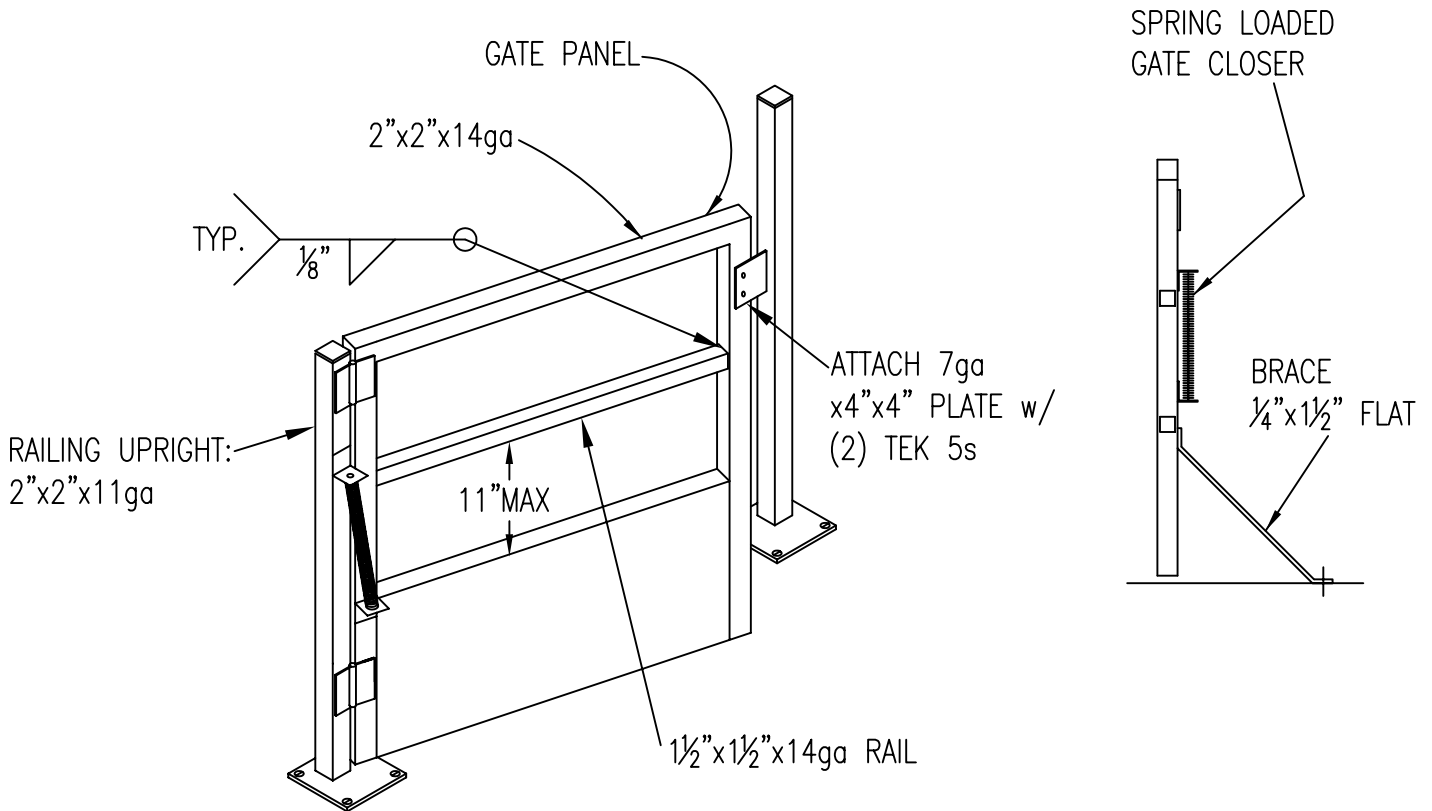
16770 WEST VICTOR ROAD
NEW BERLIN, WI 53151
262-789-1966 800-826-7061 FAX: 262-789-1970

SWING GATE (SINGLE PANEL)

SWING GATE

DETAIL

46A



INSTALL (2) END RAIL UPRIGHT ASSEMBLIES PER INSTALLATION DETAILS – SEE DECK PLAN BLUE PRINT FOR TUBE CENTERLINE LOCATIONS. IF GRATING IS SPECIFIED, USE 12 GA.X2" PLATES UNDER GRATING AS WASHERS FOR THE FLATHEAD BOLTS. IF ROOF DECK IS SPECIFIED, FIELD DRILL HOLES THROUGH DECK TO INSTALL UPRIGHT AND BRACE. INSTALL SPRING LOADED GATE CLOSER VIA TEK 3'S AT BOTH ENDS AND ADJUST TENSION FOR PROPER CLOSING FORCE.

* RAIL UPRIGHTS SHOWN ARE TOP MOUNT, RAILINGS MAY BE SIDE MOUNT TYPE.