

Cubic Designs Inc.

16770 WEST VICTOR ROAD
NEW BERLIN, WI 53151

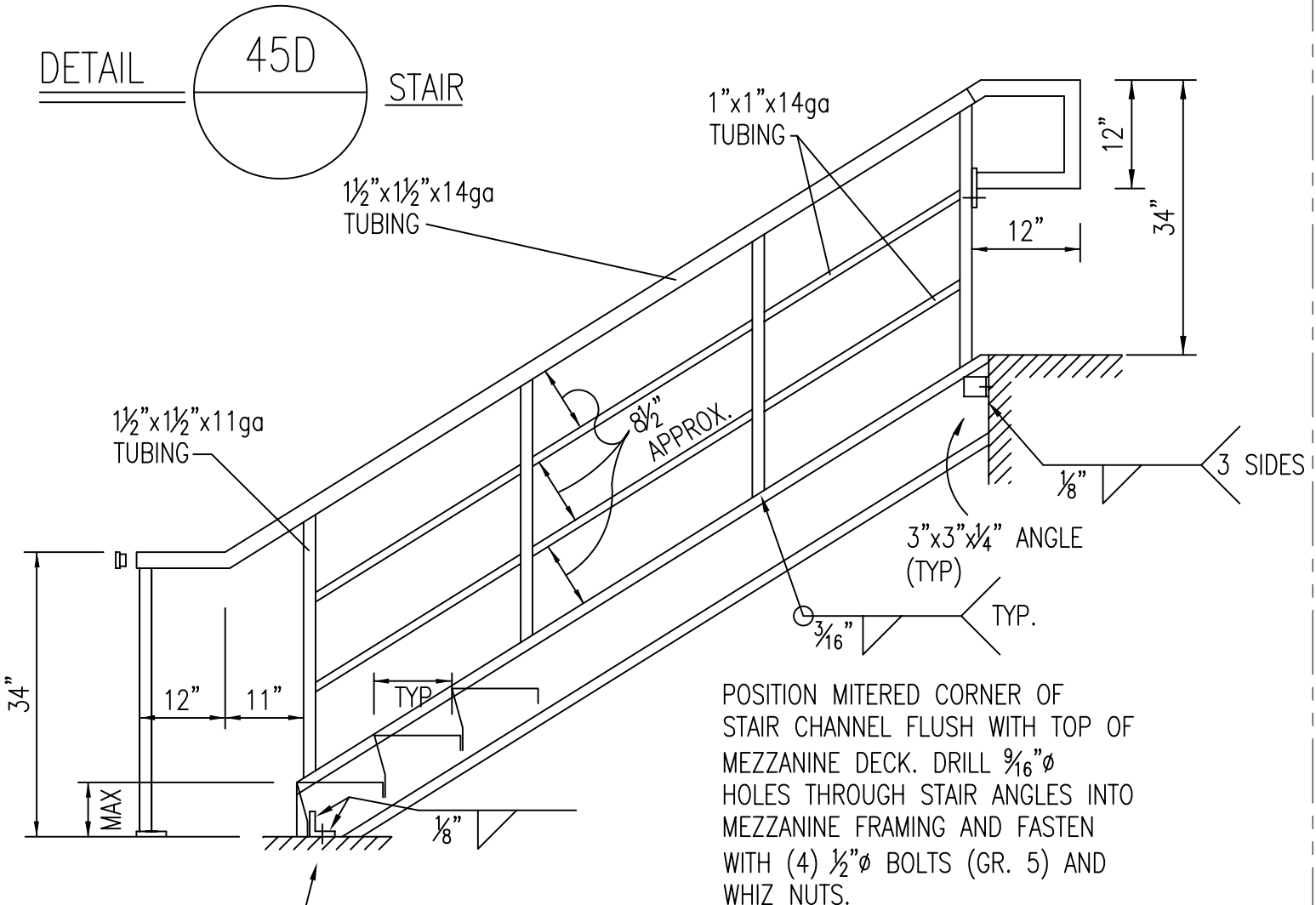
262-789-1966 800-826-7061 FAX: 262-789-1970

UBC STAIR 7" CLOSED RISER WITH 11" TREAD

DETAIL

45D

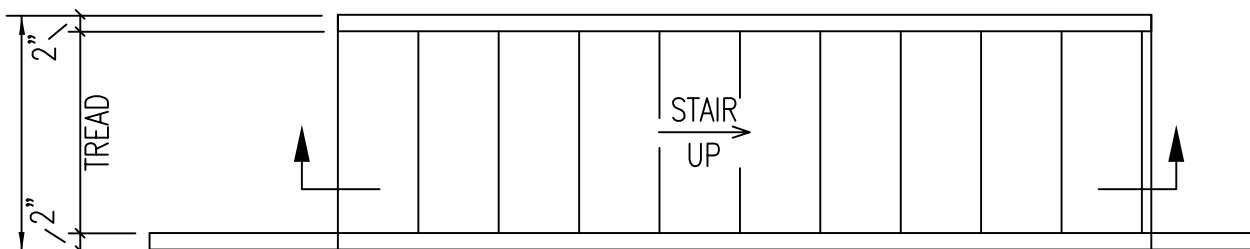
STAIR



ANCHOR BASE OF STAIR WITH (2) 1/2" Ø WEDGE ANCHORS INTO SLAB.

SECTION THROUGH CENTER OF STAIR

USE (4) 3/8" Ø BOLTS PER TREAD TO INSTALL EACH TREAD TO STAIR STRINGER.



STAIR PLAN

NOTE: RAIL EXTENSIONS ON ONE SIDE ONLY - SEE PLAN FOR LOCATION